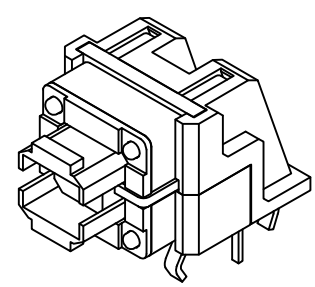
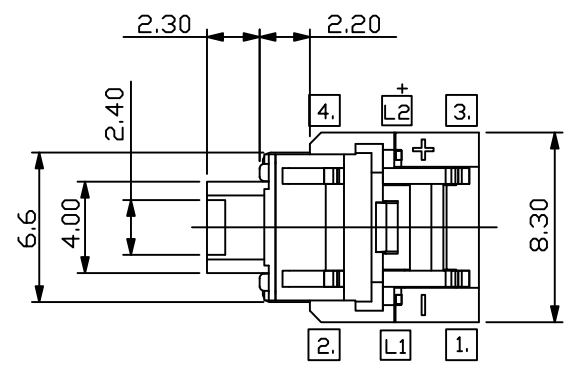
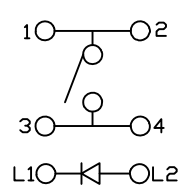
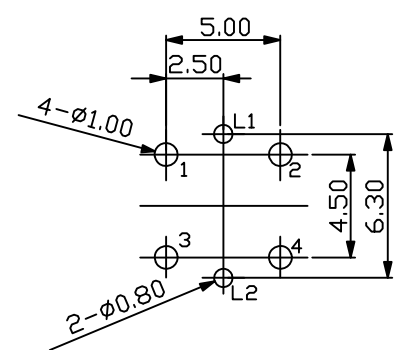
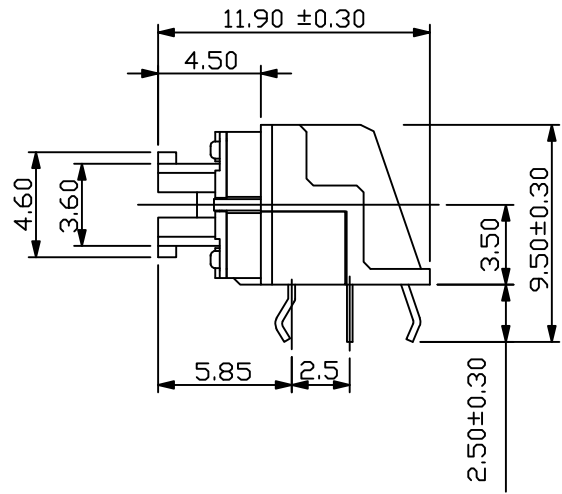
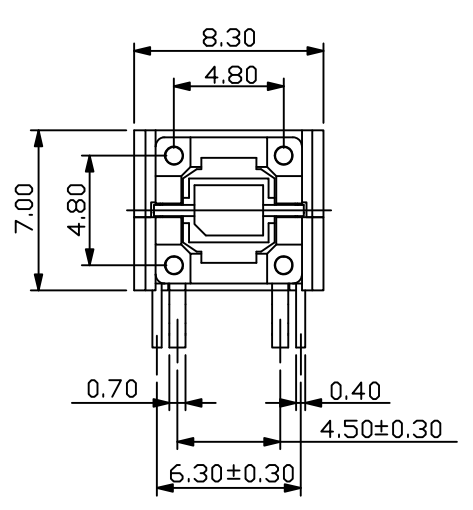


更改 REV	数量 MODIFICATION
A	ECXXXX



7WTE-F0-XX61

LEFT AND RIGHT LED COLOR						
1	2	3	4	5	6	8
Red	Yellow	Green	Blue	White	Pure Green	Amber

ELECTRICAL CHARACTERISTICS:
 RATING: 12 VDC 50mA
 CONTACT RESISTANCE: 100mΩ MAX
 INSULATION RESISTANCE: 100MΩ MIN

MECHANICAL CHARACTERISTICS:
 OPERATING FORCE: 160±50gf
 TRAVEL: 0.2±0.1mm
 OPERATING LIFE: 300,000 CYCLES min

GENERAL TOLERANCE		KINGCONN 皇海科技股份有限公司
X± 0.50	X*± 5°	
X± 0.30	X*± 2°	
.XX± 0.20	.XX*± 1°	名称(TITLE) TACT SWITCH
单位(UNIT) mm	料号(PART NO.) 7WTE-F0-XX61	图号(DWG NO.) 7WTE-F0-XX61
审核(APPROVAL)	核准(CHECKED)	制图(DRAWN)
		比例(SCALE) 1:1
		张数(SHEET) 1/1
		更改(REV) A

